

2MP Network IR Fixed Dome Camera

IPC3232ER-DV(VS)-C



Key Features

Optics

- Day/night functionality
- SmartIR, up to 30 m (98 ft) IR distance
- Lowlight surveillance
- 3D DNR (Digital Noise Reduction)

Compression

- H.265, H.264, MJPEG
- Embedded smart algorithm
- Triple streams
- ROI (Region of Interest)
- 9:16 corridor mode

Network

- ONVIF Conformance

Structure

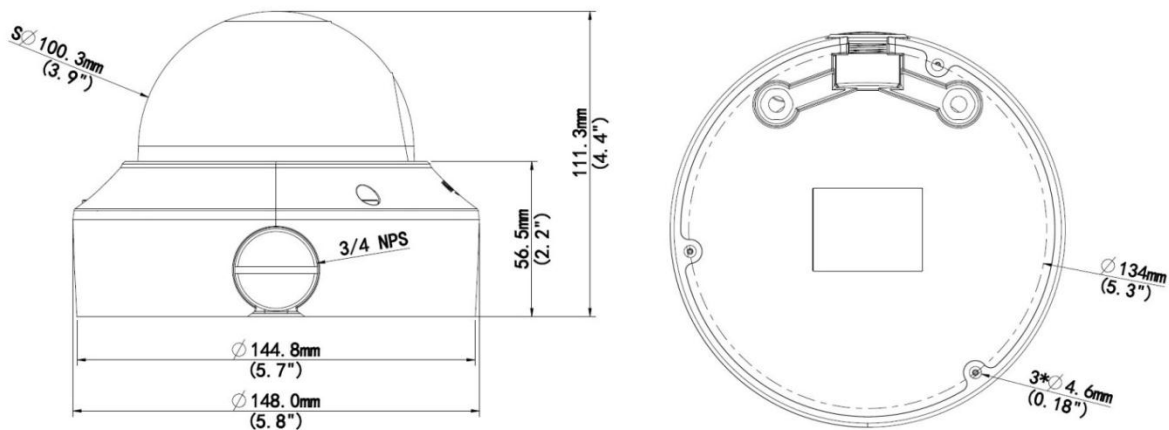
- Support PoE power supply
- Built-in PoE splitter that outputs DC 12V
- Wide temperature range: -40°C to 60°C (-40°F to 140°F)
- Wide voltage range of $\pm 25\%$
- IK10 vandal resistant
- IP67

Specifications

	IPC3232ER-DV-C	IPC3232ER-VS-C
Camera		
Sensor	1/2.7", 2 megapixel, progressive scan CMOS	
Lens	2.8~12mm@F1.4	
Angle of View (H)	98.0° (wide) ~30.0° (tele)	
Zoom/Focus	Manual	
Shutter	Auto/Manual, 1/6~1/100000 s	
Min. Illumination	Colour: 0.03 Lux (F1.4, AGC ON) 0 Lux with IR	
IR Range	Up to 30m (98 ft) IR range	
Day/Night	IR-cut filter with auto switch (ICR)	
S/N	>52dB	
WDR	Optical WDR(up to 120dB)	Digital WDR
Video		
Max. Resolution	1920 × 1080	
Video Compression	H.265, H.264, MJPEG	
Frame Rate	1080P (1920*1080): Max. 30 fps; 720P (1280*720): Max. 30 fps; D1 (720×576): Max. 8fps	
Video Streaming	Triple	
9:16 Corridor Mode	Supported	
ROI	Supported	
Evaluative Metering	Supported	
OSD	Up to 8 OSDs	
Privacy Mask	Up to 8areas	
Audio		
Audio Compression	G.711	N/A
Two-way audio	Supported	N/A
Smart		
Behavior Detection	Intrusion, crossing line, motion detectio	
Exception Detection	Audio detection	N/A
Intelligent Identification	Face detection, Defocus, Scene Change	
Statistical Analysis	People counting	
Storage		
Edge Storage	Micro SD, up to 128 GB	
Network		
Protocols	L2TP, IPv4, IGMP, ICMP, ARP, TCP, UDP, DHCP, PPPoE, RTP, RTSP, RTCP, DNS, DDNS, NTP, FTP, UPnP, HTTP, HTTPS, SMTP, 802.1x	
Compatible Integration	ONVIF, API	
Interface		
Audio I/O	audio cable	N/A
	Input: impedance 35 kΩ; amplitude 2 V [p-p]	N/A
	Output: impedance 600 Ω; amplitude 2 V [p-p]	N/A
Alarm I/O	1/ 1	N/A

Network	1 RJ45 10M/100M Base-TX Ethernet	
Video Output	1 BNC, impedance 75 Ω; amplitude 1 V [p-p]	N/A
Reset Button	Supported	
Power Output	DC12V Power Output With PoE	
General		
Power	12 V DC, or PoE (IEEE802.3 af)	
	Power consumption: max. 8.5 W	
Dimensions (Ø x H)	Φ148 x 111.3 mm (Ø5.8" x 4.4")	
Weight	0.75 kg (1.7 lb)	
Working Environment	-40°C ~ +60°C (-40°F ~ 140°F), Humidity ≤ 90% RH(non-condensing)	
Ingress Protection	IP67	
Vandal Resistant	IK10	

Dimensions



Accessories

Installation mode	Accessories	Description
Ceiling mount	Mounting pedestal is included in the product package	For indoor ceiling installation

Zhejiang Uniview Technologies Co., Ltd.

Building No.10, Wanlun Science Park, Jiangling Road 88, Binjiang District, Hangzhou, Zhejiang, China (310051)

Email: overseasbusiness@uniview.com; globalsupport@uniview.com

<http://www.uniview.com>

©2015-2017 Zhejiang Uniview Technologies Co., Ltd. All rights reserved.

*Product specifications and availability are subject to change without notice.